

EKI-3725P

5-port Gigabit Unmanaged PoE Industrial Ethernet Switch

NEW



Features

- Supports 4 IEEE802.3af 15.4W PoE ports
- Supports IEEE 802.3az, Energy Efficient Ethernet standard
 - Automatically powers down ports that have no link
 - Budgets power output for different Ethernet cable length
- Support IEEE 802.1p QoS- VIP port setting
 - Ensures time sensitive data gets delivered efficiently, even during bursts of high data traffic.
 - Ensures video streaming through switch with high priority.
- Supports 9,216 Byte Jumbo Frames
- Supports redundant 24 ~ 48 V_{DC} power input and P-Fail relay
- In Loop detection

Introduction

The EKI-3725P is a new generation product with a green Ethernet design and supports 4 ports IEEE802.3af 15.4W PoE. It features green solutions that automatically adjust power consumption by detecting the link status and cable length. Designed with 1 "VIP" port to get optimal bandwidth for media traffic through VIP ports users can experience better performance multimedia streaming preferred through a prioritized bandwidth setting. The device comes with compact metal housing that is IP40 rated to protect it against dusty industrial environments. The wide power input (21.6 to 52.8 V_{DC}) is designed to operate in areas of unstable power and rugged environments. It also provides an event alarm and in the event of a power failure and connection loop, the intergrated LED will activate the alarm to notify administrators.

Specifications

Communications

- **Standard** IEEE 802.3, 802.3u, 802.3x, 802.1p, 802.3az, 802.3ab, 802.3af
- **LAN** 10/100/1000Base-T(X)
- **Transmission Distance** Up to 100 m
- **Transmission Speed** Up to 1000 Mbps

Interface

- **Connectors** 5 x RJ45 with 4 PoE ports
6-pin removable screw terminal (power & relay)
- **LED Indicators** P1, P2, P-Fail, Loop detection PoE
10/100T (X): Link/Activity, Speed

Switch Properties

- **MAC Table Size** 2K
- **Packet Buffer Size** 1M bit
- **Switch Fabric Speed** 10Gbps
- **Jumbo Frame** 9,216 byte

Power

- **Power Consumption** System: 4.51Watts
PoE budget: 61.6 Watts
- **Power Input** 24 ~ 48 V_{DC}, redundant dual inputs
- **Fault Output** 1 Relay Output

Mechanism

- **Dimensions (W x H x D)** 25.6 x 120 x 83 mm (1.01" x 4.73" x 3.27")
- **Enclosure** IP40, metal shell with solid mounting kits
- **Mounting** DIN-rail, Wall

Protection

- **Reverse Polarity** Present
- **Overload current** Present

Environment

- **Operating Temperature** -10 ~ 60°C (14 ~ 140°F)
- **Storage Temperature** -40 ~ 85°C (-40 ~ 185°F)
- **Operating Humidity** 5 ~ 95% (non-condensing)
- **Storage Humidity** 0 ~ 95% (non-condensing)
- **MTBF** 434,533 hours

Certification

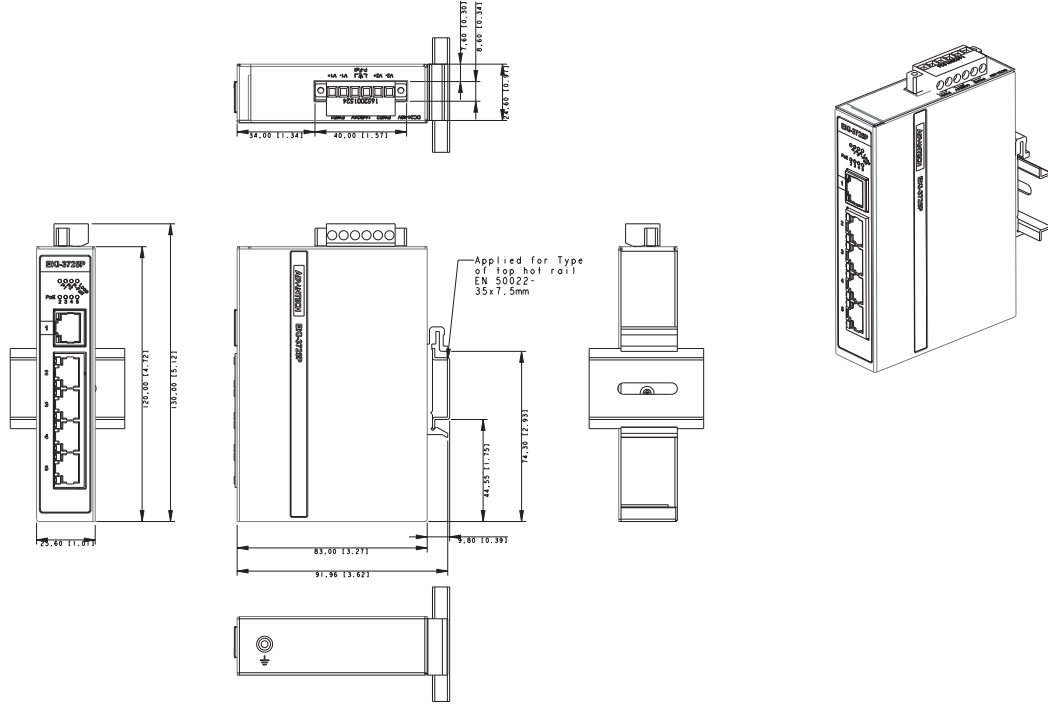
- **Safety** UL 60950-1, CAN/CSA-C22.2 No.60950
- **EMI** FCC Part 15 Subpart B Class A, EN 55011/55022 Class A
- **EMS** EN 61000-4-2 (Level 3)
EN 61000-4-3 (Level 3)
EN 61000-4-4 (Level 3)
EN 61000-4-5 (Level 3)
EN 61000-4-6 (Level 3)
EN 61000-4-8 (Level 3)
- **Shock** IEC 60068-2-27
- **Freefall** IEC 60068-2-32
- **Vibration** IEC 60068-2-6

Ordering Information

- **EKI-3725P** 5-port Gigabit Unmanaged Industrial Ethernet PoE Switch

DIN-rail Mounting Dimensions

Unit: mm [inch]



Wall Mounting Dimensions

Unit: mm [inch]

