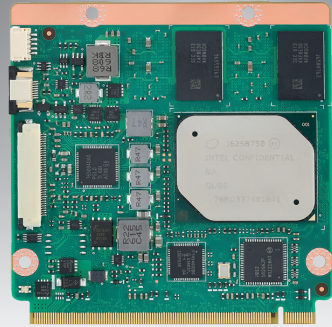


# SOM-3569

## Intel® Pentium®/Celeron® N4200 Series and Atom Series QSeven CPU Module

Preliminary



Windows Embedded

iManager WISE-PaaS/RMM



### Features

- Intel® Pentium®/Celeron® N4200 Series and Atom™ SoC
- Qseven® 2.1 Specification
- Onboard LPDDR4 up to 8GB, onboard eMMC up to 64GB
- Support HEVC/H.265, H.264 MPEG2 HW Decode
- GbE, 3 PCIe1, 2 USB3.0, 5 USB2.0
- Supports iManager WISE-PaaS/RMM, and Embedded Software APIs

**Software APIs:**

- Watchdog
- I²C
- SMBus
- H/W Monitor
- GPIO
- Brightness Control

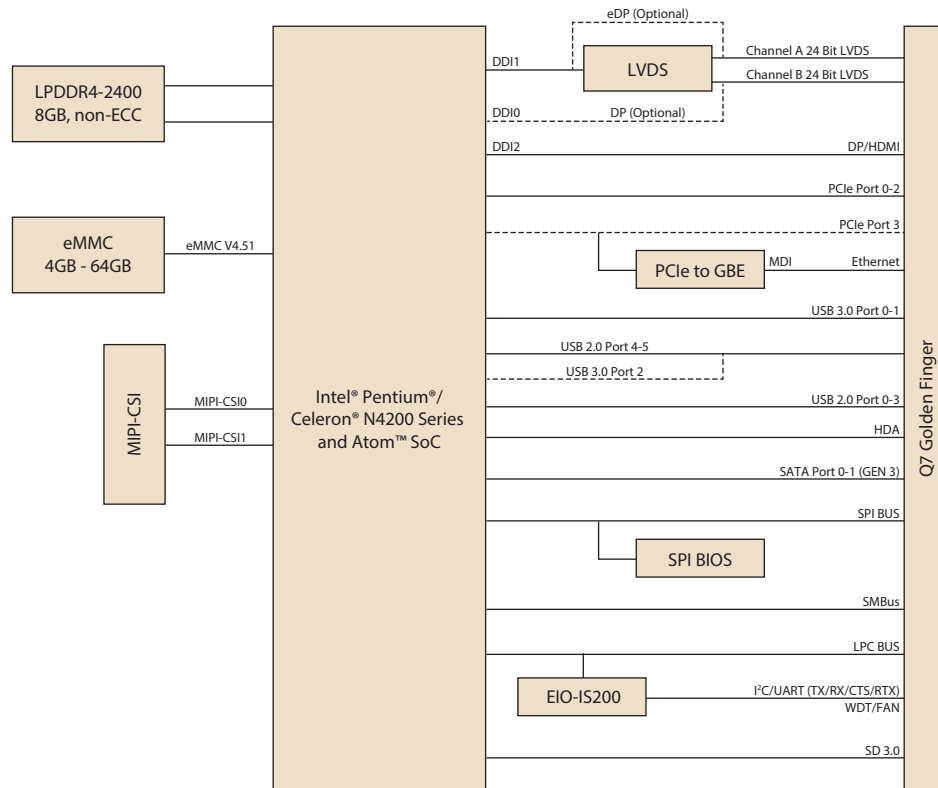
**Utilities:**

- BIOS flash
- Monitoring
- Embedded Security ID

### Specifications

Compliance	Form-Factor	QSeven 70 x 70 mm				
	Pin-out Type	QSeven 2.1				
Platform	Processor	Celeron N3350	Pentium® N4200	Atom X5-E3930	Atom X5-E3940	Atom X7-E3950
	Base Frequency	1.1GHz	1.1GHz	1.3GHz	1.6GHz	1.6GHz
	Burst Frequency	2.4GHz	2.5GHz	1.8GHz	1.8GHz	2.0GHz
	Core/Tread	2 / 2	4 / 4	2 / 2	4 / 4	4 / 4
	LLC	2MB	2MB	2MB	2MB	2MB
	CPU TDP	6W	6W	6.5W	9.5W	12W
	Chipset	N/A				
Memory	BIOS	AMI UEFI BIOS @ 64Mb				
	Technology	LPDDR4-2400				
	ECC Support	Not support				
	Channel/Socket	Dual Channel / Onboard Memory				
Graphics	Max. Capacity	Up to 8GB				
	Controller	Intel® HD Graphics				
	Base/Turbo Freq.	200/650MHZ	200/750MHZ	400/550MHZ	400/600MHZ	500/650MHZ
	Graphics Memory	8GB	8GB	2GB	2GB	2GB
Display	3D/HW Acceleration	DX 11.1, OpenGL 4.2, OpenGL ES 3.0, OpenCL 1.2, HW Decode: HEVC (H.265) @ L5, H.264 @ 5.2, MPEG2, MVC, VC-1, WMV9, JPEG/MJPEG, VP8 HW Encode: H.264 @ 5.1, MVC, JPEG/MJPEG				
	LCD	TBD				
Expansion	DDI	1 DDI port supports HDMI/DP/DVI HDMI 1.4b: up to 3840 x 2160 @ 30Hz or 2560 x 1600 @ 60Hz, 24bpp DP 1.1a: up to 3840 x 2160 @ 30Hz or 2560 x 1600 @ 60Hz, 24bpp DVI: up to 1920 x 1200 @ 60Hz				
	Multiple Display	Dual Display				
Serial Bus	PCI Express x1	3 PCIe1 (option 1 PCIe4 without LAN)				
	Audio Interface	HD Audio				
	LPC	Yes				
Ethernet	SMBus	Yes				
	I²C Bus	Yes				
Onboard Storage	Controller	Intel® i211AT				
	Speed	10/100/1000 Mbps				
I/O	eMMC/SATA SSD	eMMC4.51, 4GB to 64GB				
	SATA	2 Ports, Support Gen3.1 (6Gb/s) and Gen2 (3 Gb/s) or Gen 1(1.5 Gb/s)				
	USB3.0	2 Ports				
	USB2.0	5 Ports				
	USB Client	N/A				
	SPI Bus	Support SPI BIOS EEPROM				
	GPIO	N/A				
	SDIO/SDXC	Support SD 2.0				
	Watchdog	65536 level, 0 ~ 65535 sec				
	COM Port	4-wire COM 2 Ports; optional mux with GPIO 8-bit				
	TPM	N/A				
	MIPI-CSI	Yes				
	CAN Bus	Yes				
Power	Smart Fan	1 Ports				
	Type	ATX: Vin, VSB, AT: Vin				
	Supply Voltage	Vin: 5V±5%, VSB: 5V±5%, RTC Battery: 2.0-3.3V				
Environment	Power Consumption	TBD				
	Temperature	-40 ~ 85° C (-40 ~ 185° F)				
	Humidity	Operating: 40° C @ 95% relative humidity, non-condensing Storage: 60° C @ 95%relative humidity, non-condensing				
Mechanical	Vibration Resistance	3.5 Grms				
	Dimensions	70 x 70 mm (2.75" x 2.75")				

## Block Diagram



## Ordering Information

Part No.	SoC	Base Frq. / Burst Frq.	Core	LLC	CPU TDP	Onboard Memory	Onboard Flash	Thermal Solution	Operating Temperature
TBD									

## Development Board

Part No.	Description	Quantity
SOM-DB3520-00A1E	SOM-3569 CPU Module	1
TBD	Heatspreader	1

## Packing List

Part No.	Description	Quantity

## Optional Accessories

Part No.	Description

## Embedded OS

OS	Part No.	Description